

Electric ranges

The 'Settecento Baron' series

Exceptional levels of reliability, hygiene and safety, all compliant with the strictest European regulations. Modern technology combined with the strength of stainless steel, with a Scotch Brite finish. Sober and elegant lines are the result of aesthetic research focusing on modern criteria in terms of ergonomics and functionality. This is the 'Settecento Baron' series: a professional kitchen, just 70 centimetres deep, that can be manufactured according to your exact requirements, without making any sacrifices and without any limits in terms of its composition. All of this plus the **CE** mark. Equipment designed and built to guarantee total safety as well as perfect hygiene with the utmost in energy efficiency.



Technical/functional characteristics

The range includes: 3 top-mounted models, 3 unit models with 2, 4 and 6 round hotplates, 2 mono-bloc models with 4 and 6 hotplates over an electric oven. Specifications:

- cooking surface entirely pressed and cut from a single thick sheet of stainless steel;
- cast-iron hotplates, seal-mounted to prevent leakage of liquids onto electrical wiring;
- automatic safety thermostat to prevent plates from overheating, especially when empty;
- 7-position ergonomic fitted and inclined knobs for easy regulation;
- "Plate ON" indicator lights";
- various connection possibilities;
- removable instrument panel for perfect access, pressed and shaped to avoid the accumulation of dirt;
- 2" stainless steel feet, height adjustable from 150 to 200 mm.

Electric oven

- Stainless steel heating elements located both overhead and below the oven base plate;
- thermostat temperature control in the chamber from 100°C to 300°C;
- various connection possibilities;
- warning light indicating "Equipment under tension";
- warning light indicating that the set temperature has been reached.



SAFETY, HYGIENE, QUALITY

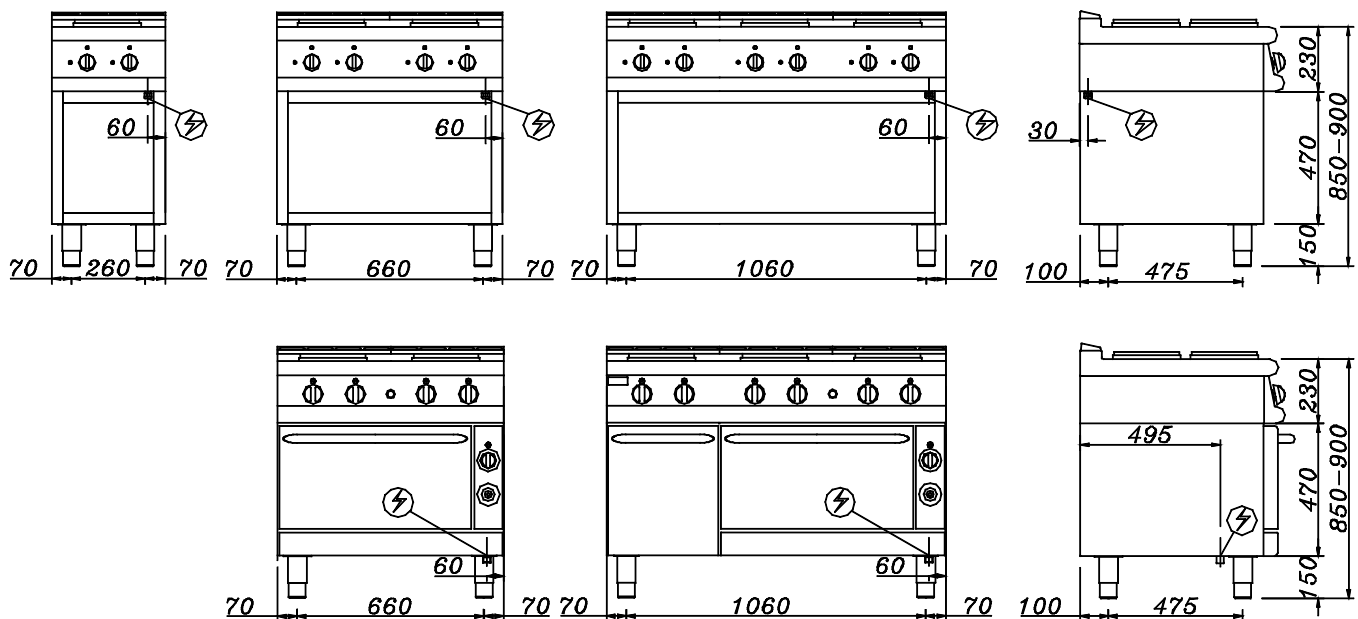
Technical Data

	7PC/E400	7PC/E800	7PC/E120	7PCV/E400 7PCVP/E400	7PCV/E800 7PCVP/E800	7PCV/E120 7PCVP/E120	7PCF/E800	7PCF/E120
External dimensions (mm)	400x700x230	800x700x230	1200x700x230	400x700x850	800x700x850	1200x700x850	800x700x850	1200x700x850
Cooking top								
Electric plate 2,6 kW - ø 230 mm	2	4	6	2	4	6	4	6
Total plates power (kW)	5,2	10,4	15,6	5,2	10,4	15,6	10,4	15,6
Internal oven dimensions (mm)							535x580x270	535x580x270
Total oven power (kW)							6	6
Total power (kW)	5,2	10,4	15,6	5,2	10,4	15,6	16,4	21,6
Power supply tension 50-60 Hz (V)	400V / 3N~	400V / 3N~	400V / 3N~	400V / 3N~	400V / 3N~	400V / 3N~	400V / 3N~	400V / 3N~
Fittings								
Grill GN 2/1 reduced							x	x
Accessories available upon request								
Front plateshelf		x	x		x	x	x	x
Grill for oven							x	x
Water stand	x	x	x	x	x	x	x	x
Oven tray							x	x

For further information on the special features of electric ranges from the **baron** Settecento series, please contact the local dealer.



Installation layouts



I - 32030 - Bribano di Sedico (BL) Italy - via Miari, 20

Tel. 0437 8554 - Fax 0437 855444

E-mail: info@baronprofessional.com

Website: www.baronprofessional.com